

**2007 WALLY YONAMINE FOUNDATION
BASEBALL STATE CHAMPIONSHIP
LES MURAKAMI STADIUM &
CENTRAL OAHU REGIONAL PARK
WEDNESDAY-SATURDAY, MAY 9-12, 2007**

**WALLY YONAMINE FOUNDATION BASEBALL STATE CHAMPIONSHIP
LES MURAKAMI STADIUM & CENTRAL OAHU REGIONAL PARK
WEDNESDAY-SATURDAY, MAY 9-12, 2007**

HAWAII HIGH SCHOOL ATHLETIC ASSOCIATION

Executive Director Keith Amemiya
Director of Information Natalie Webb
Office Manager Carole Nagaji
Baseball Coordinator Glenn Nitta
Umpires Coordinator Gary Montalbo

TOURNAMENT COMMITTEE

Host School Sacred Hearts Academy
Tournament Director Wade Okamura
ILH Executive Director Don Botelho
Awards Ceremony Wally Yonamine
Announcers Keenan Takamori & Stuart Matsunami
Scorekeepers Dan Toyama & Zen Abe
Scoreboard..... Geoff Benton & Don Meinel
Statistics..... To Be Announced
Rules & Appeals Glenn Nitta, Gary Montalbo & Wade Okamura
Seedings & Pairings..... Glenn Nitta, Wade Okamura, Don Botelho & Keith Amemiya
Medical Personnel OIA Athletic Trainers

SPECIAL THANKS

Wally Yonamine Foundation Wally Yonamine & Dean Yonamine

**WALLY YONAMINE FOUNDATION BASEBALL STATE CHAMPIONSHIP
LES MURAKAMI STADIUM & CENTRAL OAHU REGIONAL PARK
WEDNESDAY-SATURDAY, MAY 9-12, 2007**

TOURNAMENT INFORMATION

I. HHSAA BASEBALL REGULATIONS

HHSAA Baseball Regulations may be found in the HHSAA Handbook, under the Sports Tournament tab or on www.sportshigh.com, by clicking on “Baseball” then “Regulations.”

II. TOURNAMENT REPRESENTATION

OIA – 5
ILH – 1
BIIF – 3
MIL – 2
KIF – 1

III. TEAM ROSTERS AND PICTURES

Questions regarding the roster entry forms and the team pictures should be directed to the HHSAA’s Director of Information, Natalie Webb at (808) 587-4495 or by email at webb@hhsaa.org.

A. ROSTER

Schools with teams that have secured or who are in contention for a tournament berth are required to submit team rosters via e-mail to the HHSAA’s Director of Information, Natalie Webb (587-4495 or webb@hhsaa.org). Faxed rosters will not be accepted. Rosters must be completed on the official roster entry form, which is available on the HHSAA’s website at www.sportshigh.com. **Deadline: Wednesday, May 2, 2007.**

B. TEAM PHOTO AND CAPTION

Team pictures submitted on disk or via e-mail (send to faith@tradepublishing.com) are required to be at 300 dpi or greater. Otherwise, a hard copy of the team picture is required and must be mailed or hand delivered to:

Faith Freitas
Trade Publishing Co.
287 Mokauea Street
Honolulu, HI 96819
Tel: (808) 848-0711

A photo caption identifying the individuals in the team photo must be submitted via email to the HHSAA's administrative assistant, Natalie Webb (webb@hhsaa.org) **no later than Wednesday May 2, 2007.**

C. DEADLINE: Wednesday, May 2, 2007

Failure to submit the team roster, photo and caption by the specified deadline may result a BLANK PAGE in the baseball tournament program. If your team is going to miss the deadline, contact Natalie Webb immediately at (808) 587-4495.

IV. HEAD COACHES' PRE-TOURNAMENT MEETING

Head Coaches or their designees are required to meet with the Tournament Committee at Les Murakami Stadium Hospitality Room (2nd floor) on **Tuesday, May 8, 2007, at 7:00 p.m.** for specific tournament information and instructions.

V. TOURNAMENT SCHEDULE

Wednesday, May 9, 2007

Game 1	9:00 a.m.	First round game	(Murakami Stadium)
Game 2	11:30 a.m.	First round game	(Murakami Stadium)

2:00 – 4:30 p.m.: UH baseball practice (closed to public)

Game 3	5:00 p.m.	First round game	(Murakami Stadium)
Game 4	7:30 p.m.	First round game	(Murakami Stadium)

Byes: Top four Seeded Champions

Thursday, May 10, 2007

Game 5	9:00 a.m.	Quarterfinal game	(Murakami Stadium)
Game 6	11:30 a.m.	Quarterfinal game	(Murakami Stadium)

2:00 – 4:30 p.m.: UH baseball practice (closed to public)

Game 7	5:00 p.m.	Quarterfinal game	(Murakami Stadium)
Game 8	7:30 p.m.	Quarterfinal game	(Murakami Stadium)

Friday, May 11, 2007

Game 9	10:00 a.m.	Consolation	(CORP)
Game 10	10:00 a.m.	Consolation	(CORP)
Game 11	12:30 p.m.	Consolation	(Murakami Stadium)
Game 12	3:00 p.m.	Consolation	(Murakami Stadium)
Game 13	5:30 p.m.	Semifinal game	(Murakami Stadium)
Game 14	8:00 p.m.	Semifinal game	(Murakami Stadium)

Saturday, May 12, 2007

Game 15	11:00 a.m.	Winner of games 5 & 10	(Murakami Stadium)
Game 16	1:30 p.m.	Winner of games 11 & 12	(Murakami Stadium)
Game 17	4:00 p.m.	Loser of games 13 & 14	(Murakami Stadium)
Game 18	7:00 p.m.	Winner of games 13 & 14	(Murakami Stadium)

VI. CODE-OF-CONDUCT

- A. The coach shall have direct responsibility for the conduct of team members prior to, during and after tournament competition (in the hotel, in public, at the tournament, transportation to and from sites).
- B. The HHSAA Executive Director may establish a common curfew hour, as necessary.
- C. The drinking of alcoholic beverages, smoking, drug use, loud, unruly or destructive behavior will not be tolerated.
- D. Coaches are requested to inform their athletes of hotel rules and regulations. Please emphasize the importance of appropriate conduct and behavior and consideration for other hotel guests. Schools and students will be charged for any damages incurred by them at the hotel.
- E. It is recommended that schools inform parents regarding Code-of-Conduct in writing.

VII. STATE TOURNAMENT DISQUALIFICATION RULE

Any student-athlete or coach disqualified before, during, or after a state tournament game/match/event for unsportsmanlike conduct, flagrant verbal misconduct, or flagrant physical misconduct shall be disqualified from his/her next scheduled state tournament game/match/event for that sport. The student-athlete or coach has the right to appeal any such disqualification to an appeals committee for the particular sport. Should a student-athlete or coach be disqualified from the final state tournament game/match/event for that sport, said disqualification shall NOT carry over to the following school year's state tournament for that sport. Instead, the student-athlete's or coach's league shall determine any appropriate penalty or sanction.



Hawaii High School Athletic Association

• P.O. BOX 62029 • HONOLULU, HAWAII 96839 •
PHONE: (808) 587-4495 • FAX: (808) 587-4496
• www.sportshigh.com •

OFFICIAL TOURNAMENT ROSTER & TEAM PHOTO STEP-BY-STEP INSTRUCTIONS

TOURNAMENT ROSTER FORM:

Schools with teams that have secured or who are in contention for a tournament berth are required to submit team rosters via e-mail to the HHSAA’s Director of Information, Natalie Webb. See below instructions.

The HHSAA will not accept faxed or handwritten versions of the roster. Rosters must be filled out on an official tournament entry form. Failure to use this form may result in a blank page in the tournament program.

1. Log on to the HHSAA website at www.sportshigh.com
2. Look for the baseball information box on the home page right-hand side bar.
3. Click on the Roster Form link.
4. A window will pop up asking if you want to open or save the file. Save the file to your computer.
5. After saving the file to your computer, open the file and fill out the tournament roster form completely.
6. Save the completed form with your school name and the sport. (EXAMPLE: Iolani Boys Basketball or Kapolei Softball.doc). The best way to do this is by going to **File, Save As** at the top of your screen.
7. After saving this with your school name and sport, e-mail the document as an attachment to Natalie Webb at webb@hhsaa.org.

TEAM PHOTO:

Team photos submitted via e-mail are required to be at 300 dpi or greater. Otherwise, a disk or hard copy of the team picture with caption (see below) is required and must be mailed or hand delivered to Trade Publishing Co., attention Faith Freitas.

Submitting your team photo by:

E-Mail:

To: faith@tradepublishing.com
Cc: webb@hhsaa.org

Important: Send photo to both e-mail addresses.

Mail or hand delivery:

Trade Publishing Co.
Attn: Faith Freitas
287 Mokauea Street
Honolulu, HI 96819
Phone: (808) 848-0711

IMPORTANT: Please be sure to identify the photo with the full school name and sport. For example, please put Kaimuki girls basketball or Kaimuki baseball in the subject line of the email or on the envelope if mailing or hand delivering. Do not identify the photo with the school initials (KHS).

PHOTO CAPTION:

A team photo caption must be provided with the players’ names listed from left to right, and by row. Failure to submit the photo and photo caption by the specified deadlines will result in a blank page for the team in the tournament program. Questions or concerns should be directed to HHSAA Director of Information Natalie Webb at (808) 587-4495.

BASEBALL TOURNAMENT

I. Specific Objectives

- A. To select a state champion for baseball through tournament competition.
- B. To recognize the combined efforts of all participating teams and schools in the tournament.
- C. To encourage the highest principles and standards of attitude and general behavior.
- D. To emphasize the need and value of proper respect for opponents with regard to organized cheering activities.
- E. To promote the highest principles of good citizenship in tournament competitions.

II. Umpires

A. Qualifications and Requirements

1. All umpires must have taken the standard National Federation Examination (Part II) and pass with a score of 80 or better.
2. All umpires must be in good standing with the HHSAA and their respective leagues.
3. See *Policies and Procedures, Registration of Officials*.
4. All state tournament officials/umpires shall wear uniforms in accordance with their sport's NFHS rules/guidelines/recommendations. In the absence of any NFHS rules/guidelines/recommendations, the sport's HHSAA Sport Coordinator shall have the final say as to the appropriateness of a state tournament official's/umpire's uniform

B. Selection

1. Umpires shall be selected by the HHSAA Executive Director, Sport Coordinator, Tournament Director and Umpire Coordinator.
2. The Umpires Committee shall schedule umpires by game number for all games in the tournament with the approval of the HHSAA Executive Director.
3. The HHSAA Executive Director shall make a contract with the umpires selected, committing them to umpire in all games assigned.
4. Leagues may request that their umpires work in the tournament, but they shall be responsible for umpires' expenses to the tournament.

C. Financial Allowance

1. Umpires shall be compensated in accordance with the HHSAA's current umpires' rates for all games.
2. Current HHSAA rate: \$45/umpire per game.

III. Eligibility

Participating athletes must be eligible under the rules of their league and also under the requirements which are specified by HHSAA.

IV. Rules Governing Tournament

- A. National Federation Baseball Rules to prevail, with HHSAA modifications as needed.
- B. Rules for Tournament
 - 1. Seven inning rule shall prevail.
 - 2. The last game of the day shall be scheduled no later than 7:00 p.m. on Monday through Thursday, unless due to reasons beyond the HHSAA's control.
 - 3. All pitchers who pitch on the first day will be given a bonus of one (1) to nine (9) outs that may be used only on the fourth day of the tournament. No pitcher will be allowed to pitch more than 39 outs in three consecutive days.

Explanation: In a four-day tournament, a pitcher may pitch a maximum of 48 outs but no more than 39 outs on three consecutive days.
 - 4. A relief pitcher for an ejected pitcher will be considered as a substitute for an injured player.
 - 5. Suspended Game: A game may resume when the game is suspended (Discretion of HHSAA Executive Director):
 - a. If less than four and one-half innings have been played; or
 - b. If a game is tied after four and one-half innings.
 - c. All championship games shall be governed by the above rule.
 - d. All consolation, 5th and 3rd place games will end after seven innings or two hours, whichever comes first. "If the game is called when the teams have not had an equal number of completed terms at bat, the score shall be the same as it was at the end of the last completed inning; except that if the home team in its half of the incomplete inning, scores a run (or runs) which equals or exceeds the opponent's score, the final score shall be as recorded when the game is called." Rule 4-2-3b

However, should a tie exist in any of the above games that have a bearing on the tournament schedule for the following day, the number of hits minus the number of errors shall determine the team advancing in the tournament. Should a tie still exist after employing the foregoing procedure, a flip-of-the coin shall determine the game's winner.
 - 6. The ten-run rule will be in effect for all games in the tournament.
 - 7. Use "hard" helmet type hat as required by the rule book.
 - 8. The 60-second speed-up rule between half innings shall be in effect.
 - 9. No photographer shall be allowed on the playing field during the game.
 - 10. The National Federation speed-up rule for baseball shall apply: Allow a courtesy runner for the catcher and pitcher.
 - 11. Host school or league must provide adequate ball chasers for every game.

12. All tobacco matters are prohibited before the game (locker room) and during the game (dugout and playing field). Infraction of this rule by the player(s) or coach(es) will result in ejection from the game and playing field.

13. Appeal Play: Follow the NF Rule book involving the appeal play.

14. Consolation games that are scheduled on school or other sites need not be on a time-limited basis. In case an alternate site is needed, the Executive Director shall make the necessary decision.

V. Tournament Representation

A.
$$\frac{\text{Number of Participating Teams in League}}{\text{Number of Participating Teams in State}} \times \text{Number of Teams in State Tournament}$$

B. Pac-Five teams are eligible to participate in the following HHSAA state tournaments: football, softball, boys soccer, girls soccer, canoe paddling, girls water polo, and baseball. Also, the MIL's Pac-Three football team is eligible to participate in the HHSAA state football tournament.

C. For team-only state tournaments, a combination team shall be counted in the league representation formula as long as one of the schools in the combination team has a minimum number of players, as follows:

Volleyball – 6, Football – 11, Softball – 9, Soccer – 11, Basketball – 5, Baseball – 9, Canoe Paddling – 6, Water Polo – 7

D. For team-only state tournaments, if a combination team qualifies for a state tournament, only players from one of the schools with the above-listed minimum number shall be allowed to participate in the state tournament.

VI. Tournament Format

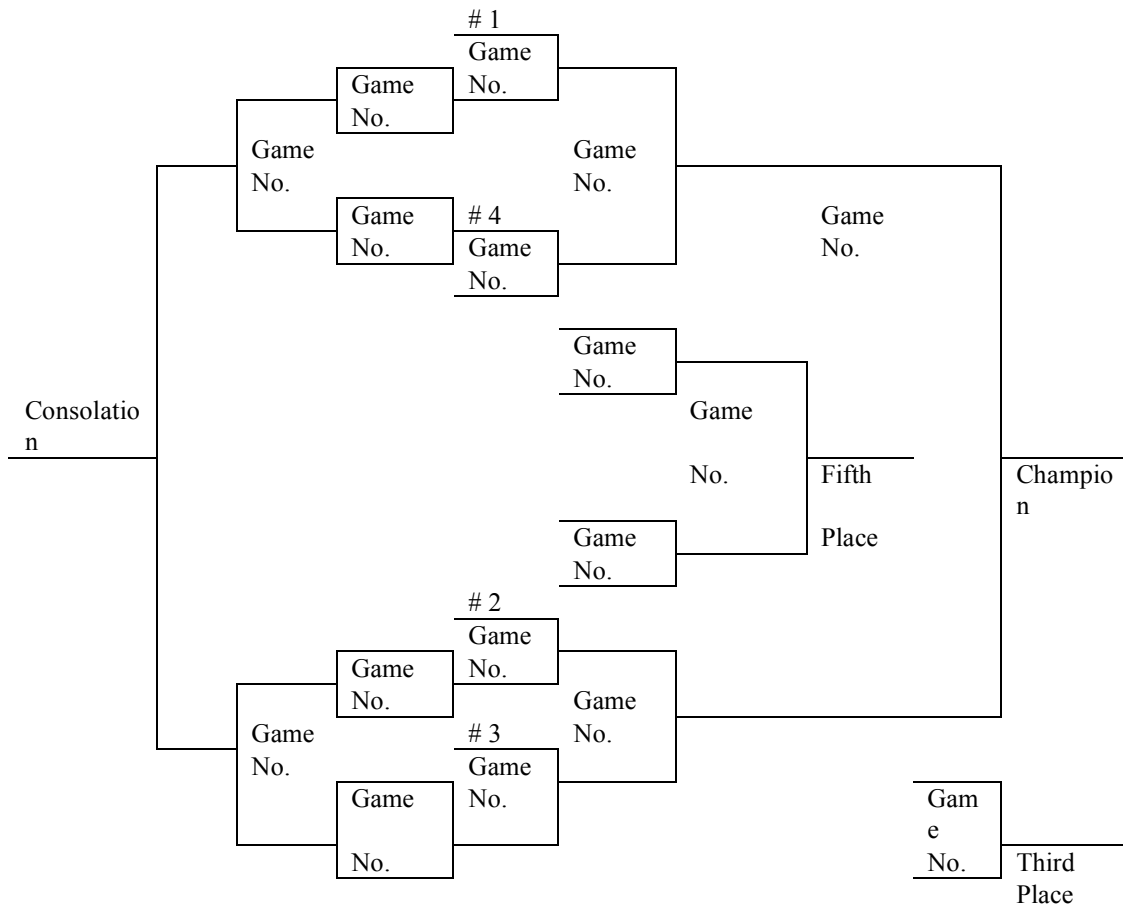
A. The Executive Director, with any recommendation from the Sport Coordinator and Tournament Director, may reschedule the time(s) and site(s) as deemed necessary.

B. Weather permitting, all participating teams shall be assured of at least two games.

C. Games shall be played at Aloha Stadium, Les Murakami Stadium, Iron Maehara Stadium, and/or other fields. School fields shall be utilized as alternate sites, only when necessary.

D. Other fields may be utilized in the event games are unable to be completed at Aloha, Murakami, or Iron Maehara Stadiums.

VII. Twelve Team Format



VIII. Size of Team in Tournament

Schools may bring an unlimited number of players accompanied by authorized coaches. Names of coaches, managers and players must be listed on the official team roster form.

IX. Seeding/Pairing

- A. Seeding/Pairing shall be done by the Tournament Seeding/Pairing Committee and provided to the radio, TV and news media at the earliest time possible.
 - 1. HHSAA Executive Director, Chairperson
 - 2. Sport Coordinator
 - 3. Tournament Director
 - 4. Others as selected by the HHSAA Executive Director.
- B. Byes shall be granted to four champions from the five leagues according to their demonstrated strength (and seeded one to four accordingly).
- C. The #2 and #3 teams from the same league shall be placed in the opposite bracket from the league's seeded champion.

- D. If there is a 4th and 5th representative from the same league, then the 4th and 5th representative shall be placed in the same bracket as the seeded league champion.
- E. Pairings shall be made so teams from the same league will not meet in the first round. Exception to the above shall be when the OIA is the unseeded champion and has five representatives.
- F. The unseeded league champion (#5 in ranking) will be placed in either “A” or “B”. When the unseeded champion is placed in a bracket, the unseeded champion will be paired with a #3, #4 or #5 from the MIL, BIIF, OIA, or ILH.
- G. Caution on placing teams: the #1 or #2 seed should have the lowest ranked team in their bracket. Seeding committee should follow guidelines A-F.
- H. The Tournament Seeding/Pairing Committee shall have the authority to modify any of the above guidelines if necessary.

X. Uniforms

- A. Identical school designated uniforms for all coaches and players shall include: uniforms, caps, shirts, pants and shoes.
- B. Coaches must be in identical baseball uniforms, caps, shirts, pants, and shoes.

XI. Awards and Ceremonies

- A. Permanent team trophy for championship team.
- B. Permanent team trophy for runner-up team.
- C. 20 gold medals for the championship team members.
- D. 20 silver medals for runner-up team members.
- E. Schools may order additional medals at their own expense.

XII. Transportation

- A. Teams shall arrange and provide for their own air transportation.
- B. Schools are responsible for their own ground transportation.

XIII. Evaluation

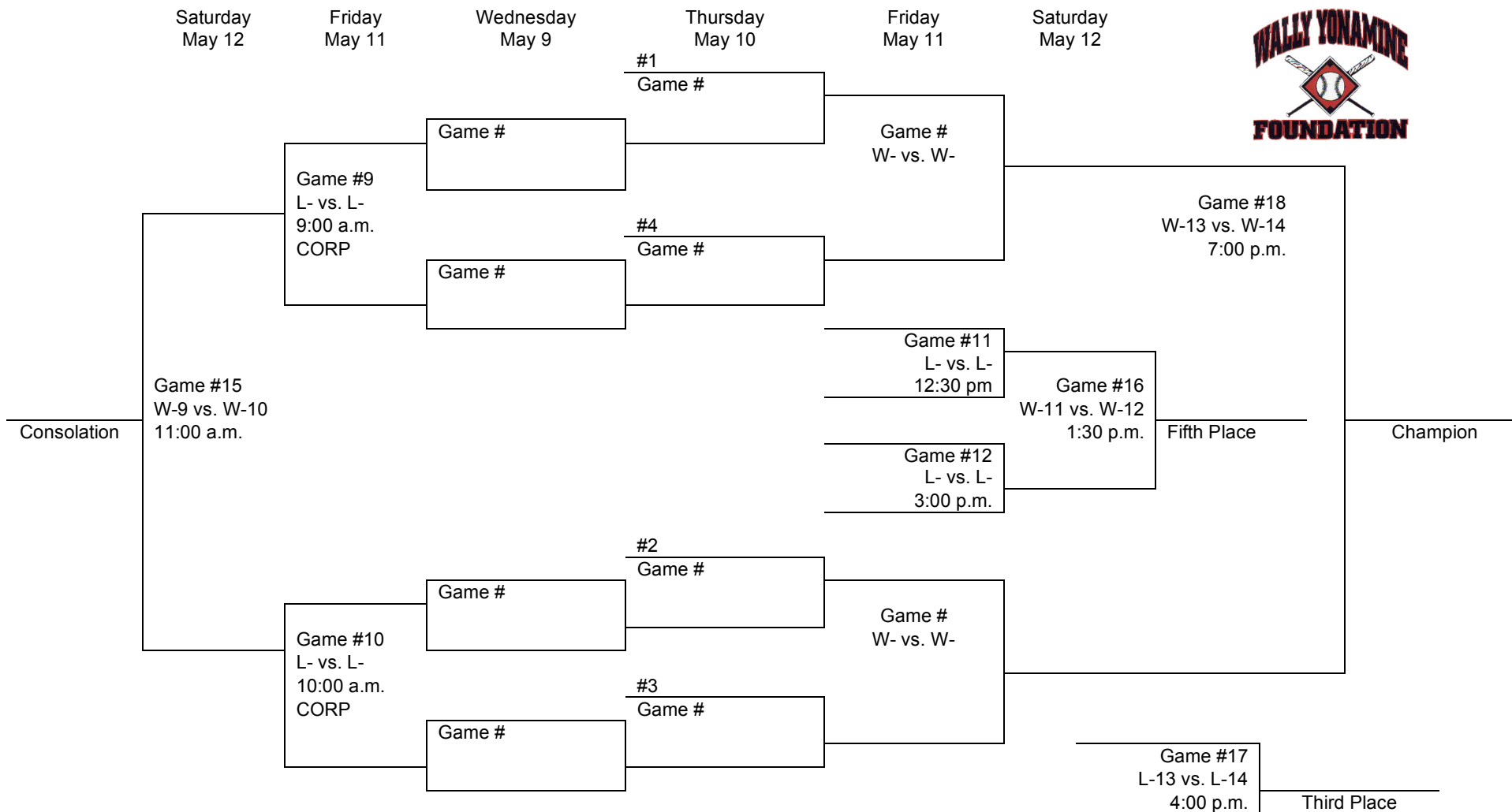
An evaluation report and tournament results shall be submitted to the HHSAA Executive Director within two weeks after the tournament.

XIV. Admission

Adults	\$9.00
Senior Citizens (62 and over)	\$5.00
Students (Grades K-12)	\$5.00



Wally Yonamine Foundation Baseball State Championship
Wednesday-Saturday, May 9-12, 2007 – Les Murakami Stadium & CORP
 Presented by the Hawaii High School Athletic Association



Wednesday Game times: (first round) 9:00 a.m.; 11:30 a.m., 5:00 p.m., 7:30 p.m.
 Thursday Game times: (quarterfinals) 9:00 a.m., 11:30 a.m., 5:00 p.m., 7:30 p.m.
 Friday Game times: (consolation) 10:00 a.m. (two games at CORP), 12:30 p.m., 3:00 p.m.; (semifinals) 5:30 p.m., 8:00 p.m.
 Saturday Game times: (consolation) 11:00 a.m.; (fifth place) 1:30 p.m.; (third place) 4:00 p.m.; (championship) 7:00 p.m.

**WALLY YONAMINE FOUNDATION BASEBALL STATE CHAMPIONSHIP
WEDNESDAY-SATURDAY, MAY 9-12, 2007**

SOUVENIR T-SHIRT & OFFICIAL PROGRAM PRE-ORDER FORM



_____ School requests to order the following sizes of the 2007 Wally Yonamine Foundation Baseball State Championship Souvenir T-shirt(s) at \$15.00 per shirt.

Quantity	Size/Item	Cost per shirt	Total
_____	Small	@ \$15.00 each =	\$ _____
_____	Medium	@ \$15.00 each =	\$ _____
_____	Large	@ \$15.00 each =	\$ _____
_____	X-Large	@ \$15.00 each =	\$ _____
_____	XX-Large	@ \$15.00 each =	\$ _____
_____	Tournament Program	@ \$5.00 each=	\$ _____
_____	Total Amount:		\$ _____

Send pre-orders to Sacred Hearts Academy (host school) by Tuesday, May 8, 2007. Checks payable to HHSAA may be sent with pre-orders or brought to the coaches' meeting/tournament. **(Note: preorders must be paid in full by first day of the tournament or shirts will be released to the general public.)**

Wade Okamura, Athletic Director
Sacred Hearts Academy
3253 Waialae Avenue
Honolulu, HI 96816
Phone: (808) 734-5058 · Fax: (808) 737-7867

Contact person: _____
Daytime phone: _____
Check one:
<input type="checkbox"/> Check placed in mail on _____
<input type="checkbox"/> Will drop off at coaches meeting.

HHSAA BASEBALL CHAMPIONSHIP RECORDS

YEAR	SCHOOL	LEAGUE	COACH	RUNNER-UP	THIRD PLACE	FOURTH PLACE
1959	Baldwin	MIL	Tamotsu Omoto	Waipahu	Kauai	St. Louis
1960	Baldwin	MIL	Tamotsu Omoto	St. Louis	Leilehua & Kauai	
1961	Punahou	ILH	James Doole	Radford	Lahainaluna	Honokaa
1962*	Leilehua	OIA	Joe Matsukawa	Farrington	Hilo	Waimea
1963	Farrington	ILH	Richard Kitamura	Baldwin	Kailua	Hilo
1964	Punahou	ILH	James Doole	Waipahu	Hilo	Lahainaluna
1965	Kailua	OIA	Alex Kane	Punahou	Waimea	Baldwin
1966	Punahou	ILH	Dave Eldredge	Waipahu	Lahainaluna	Hilo
1967	Kailua	OIA	Alex Kane	Hilo	St. Louis	Baldwin
1968	Punahou	ILH	Dave Eldredge	Waipahu	Hilo	Baldwin
1969	Kailua	OIA	John Nakamura	Punahou	Waimea & Baldwin	
1970	Kalani	OIA	Herb Okamura	Waimea	Castle	Baldwin
1971	Iolani	ILH	George Fujishige	Punahou	Waimea	Kalani
1972*	Punahou	ILH	Doug Bennett	St. Louis	Kaimuki	Aiea
1973	Aiea	OIA	George Anzai	Punahou	Iolani	Waimea
1974	St. Louis	ILH	James Anderson	Aiea	Waimea	McKinley
1975	Iolani	ILH	George Fujishige	Aiea	Maui	Kapaa
1976	Aiea	OIA	George Anzai	McKinley	Iolani	Castle
1977	Iolani	ILH	George Fujishige	McKinley	Waipahu	Kaimuki
1978	Campbell	OIA	Warren Miyasaki	Kamehameha	Kapaa	Waipahu
1979	Radford	OIA	Don Kimura	Iolani	Kaiser	Castle
1980	Kamehameha	ILH	Ed Allen	Kaiser	Castle	Waipahu
1981	Kaiser	OIA	Clayton Fujie	Waipahu	Castle	St. Louis
1982	Maui	MIL	William Perry	Castle	Iolani	Kauai
1983	Iolani	ILH	Les Uyehara	Castle	Aiea	Kaiser
1984	Baldwin	MIL	Melvin Nakama	Waimea	Aiea & Molokai	
1985	Hilo	BIIF	Eugene Capellas	Roosevelt	Kamehameha	Baldwin
1986	Iolani	ILH	Les Uyehara	Baldwin	Kaiser	Hilo
1987	Kamehameha	ILH	Ed Allen	Iolani	Maui	Mililani
1988	Kamehameha	ILH	Ed Allen	Kaiser	Waianae & Punahou	
1989	Punahou	ILH	Pal Eldredge	St. Louis	Kaiser	Baldwin
1990	Mid-Pacific	ILH	Dunn Muramaru	Waianae	Kauai	Hilo
1991	Mid-Pacific	ILH	Dunn Muramaru	Waianae	Pearl City	Baldwin
1992	Mid-Pacific	ILH	Dunn Muramaru	Kamehameha	Kailua	Waiakea
1993	Kaiser	OIA	Cory Okamura	Pearl City	Mid-Pacific	Kailua
1994	Castle	OIA	Joe Tom, Jr.	Kalaheo	Punahou	Aiea
1995	Baldwin	MIL	Kahai Shishido	Mid-Pacific	Campbell	Iolani
1996	Iolani	ILH	Herbert Yoshimura	Waiakea	Castle	Kauai
1997	Iolani	ILH	Dean Yonamine	Punahou	Kaiser	Maui
1998	Iolani	ILH	Dean Yonamine	Mid-Pacific	Maui	Waiakea
1999	Molokai	MIL	Ken Nakayama	Mid-Pacific	Hilo	Kauai

YEAR	SCHOOL	LEAGUE	COACH	RUNNER-UP	THIRD PLACE	FOURTH PLACE
2000	Molokai	MIL	Ken Nakayama	Kamehameha	Kailua	Iolani
2001	Kailua	OIA	Corey Ishigo	Mid-Pacific	none	none
2002	Mid-Pacific	ILH	Dunn Muramaru	Kamehameha	Roosevelt	Kailua
2003	Kamehameha	ILH	Vern Ramie	Kailua	Mid-Pacific	Waiakea
2004	Punahou	ILH	Eric Kadooka	Mid-Pacific	Waiakea	Aiea
2005	Punahou	ILH	Eric Kadooka	Kailua	Waiakea	KS-Kapalama
2006	Punahou	ILH	Eric Kadooka	KS-Kapalama	Waiakea	Castle

*Notes:

1962 Tournament - Honolulu Stadium, John Matias, Farrington High School 4 consecutive hits for home runs - 9 RBI

April 29, 1972 - Glenn Goya, Punahou School, Junior, pitched perfect game - championship game